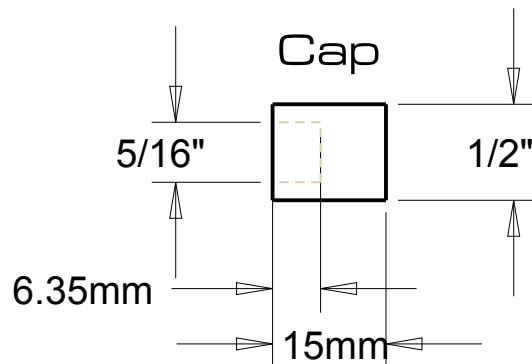
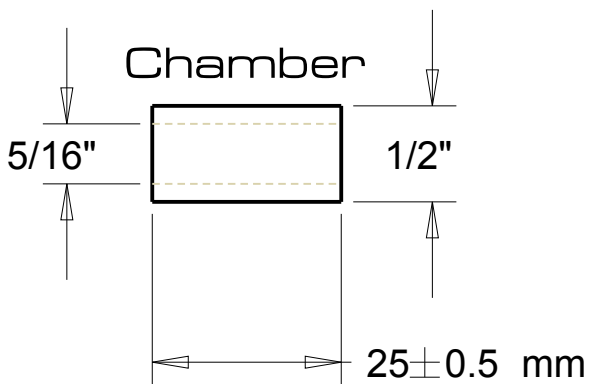
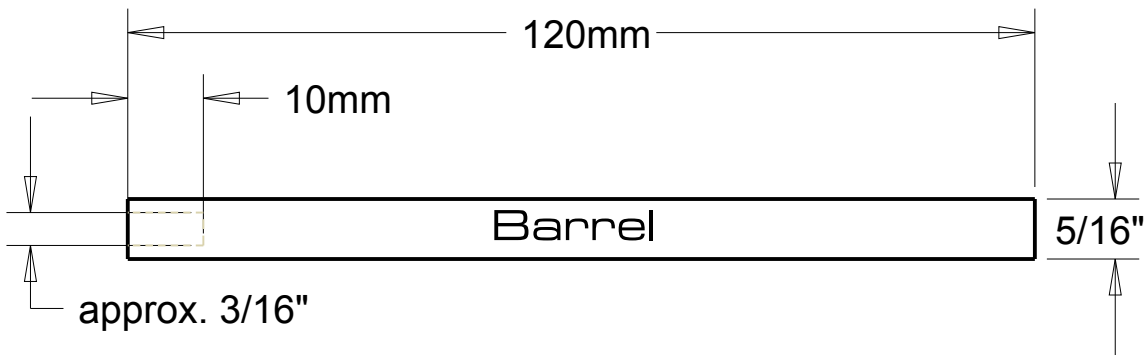
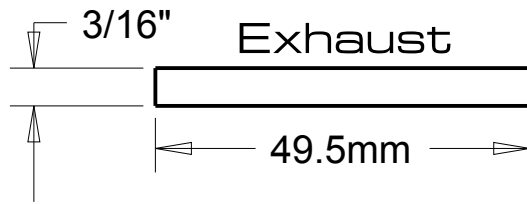
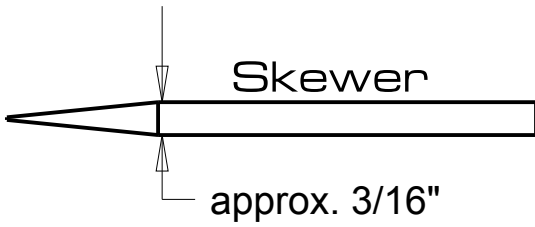
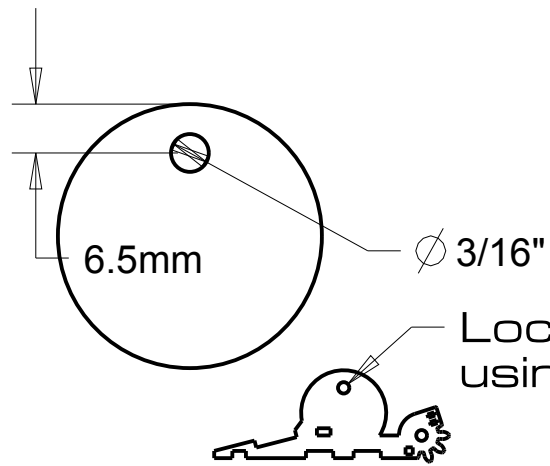
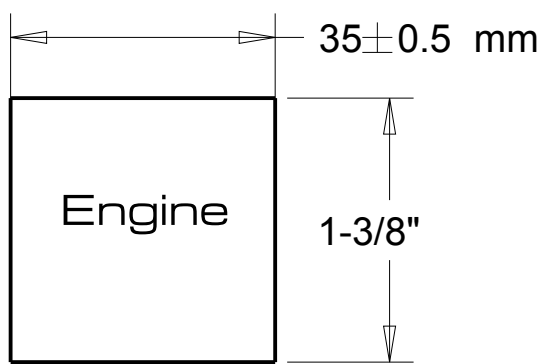


X-Wing Starfighter

Building Instructions

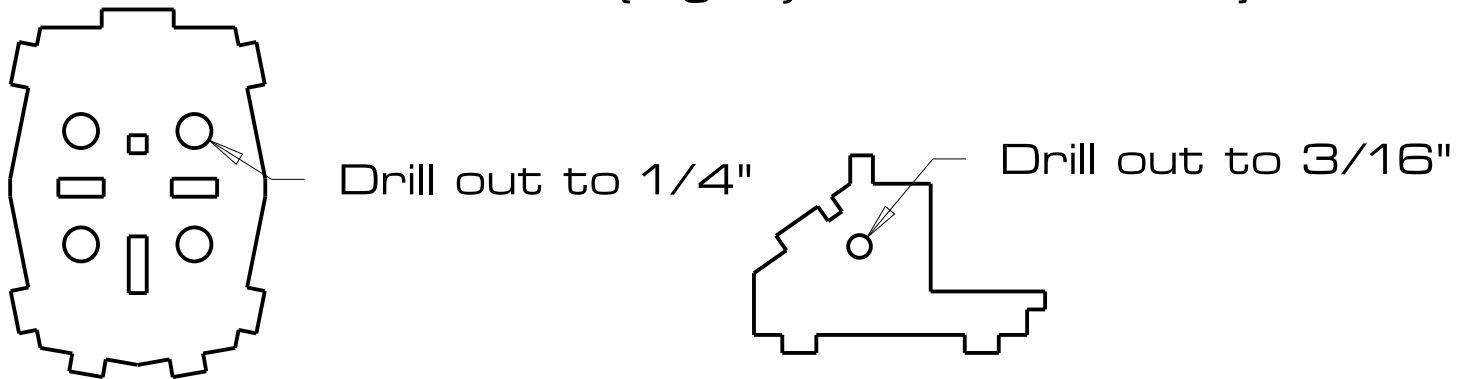
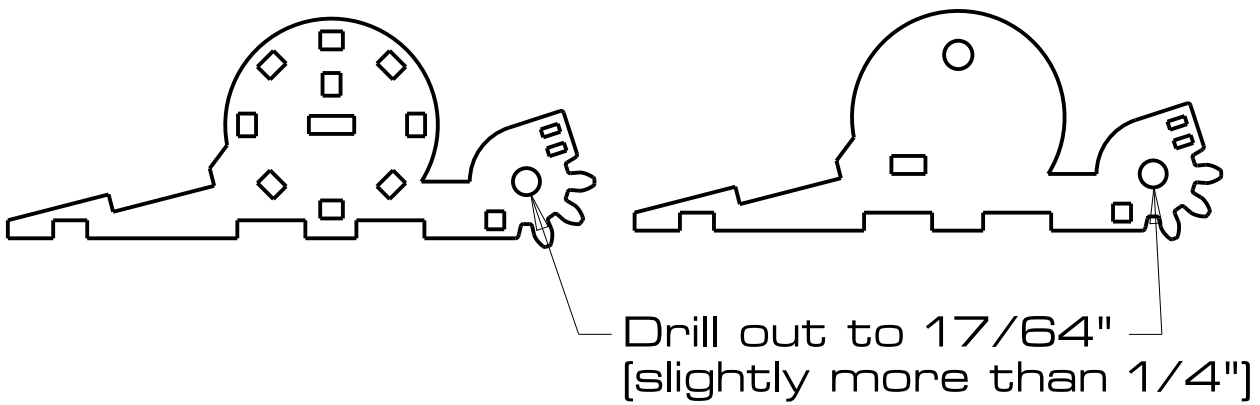
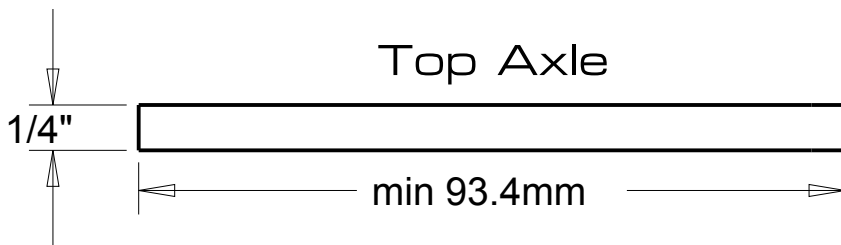
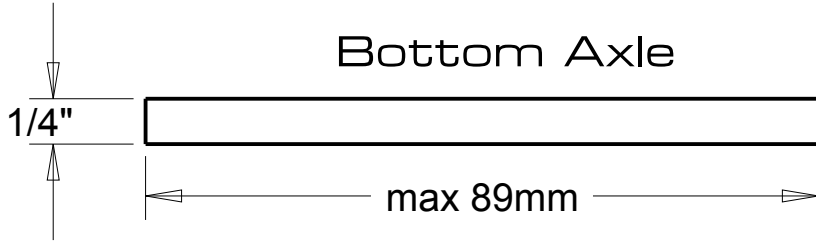
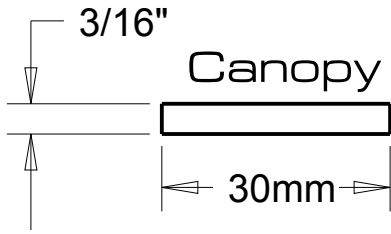
Gun and Engine Dowels

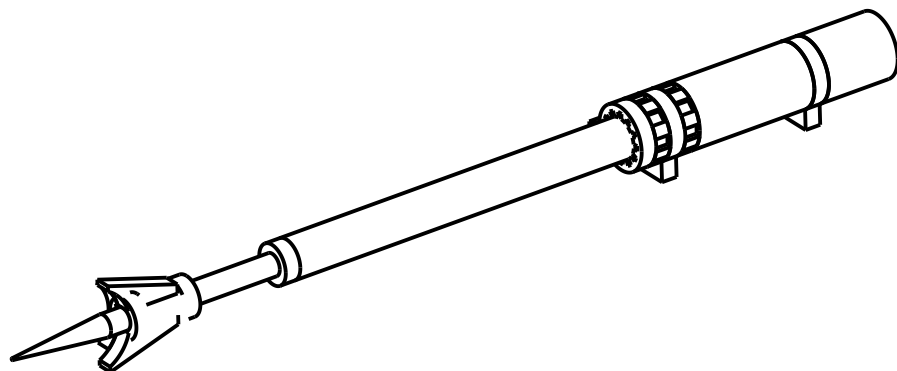
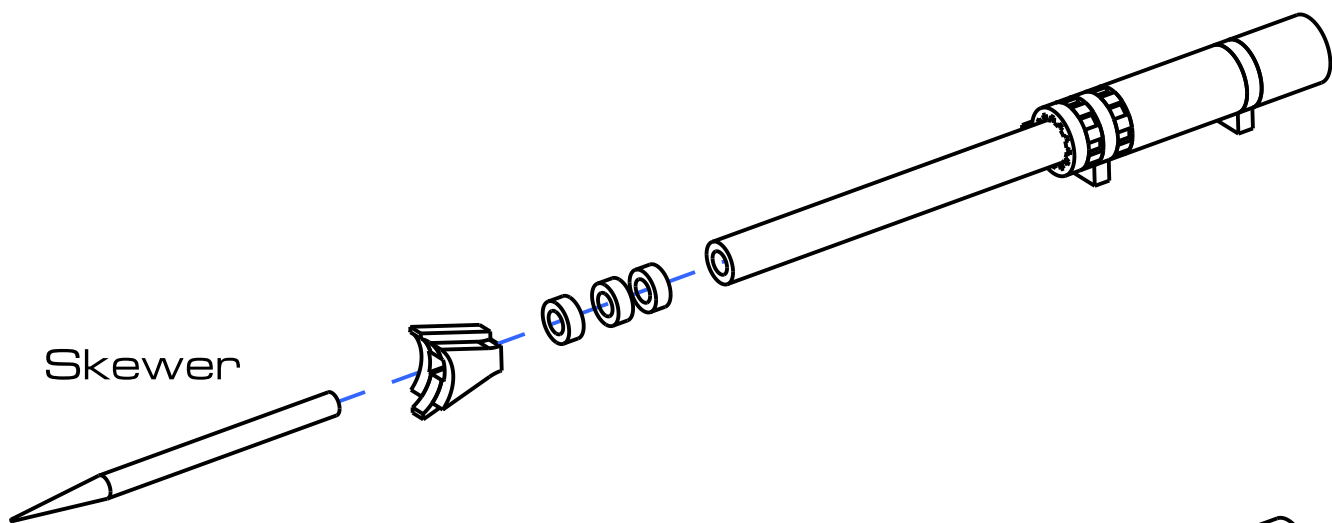
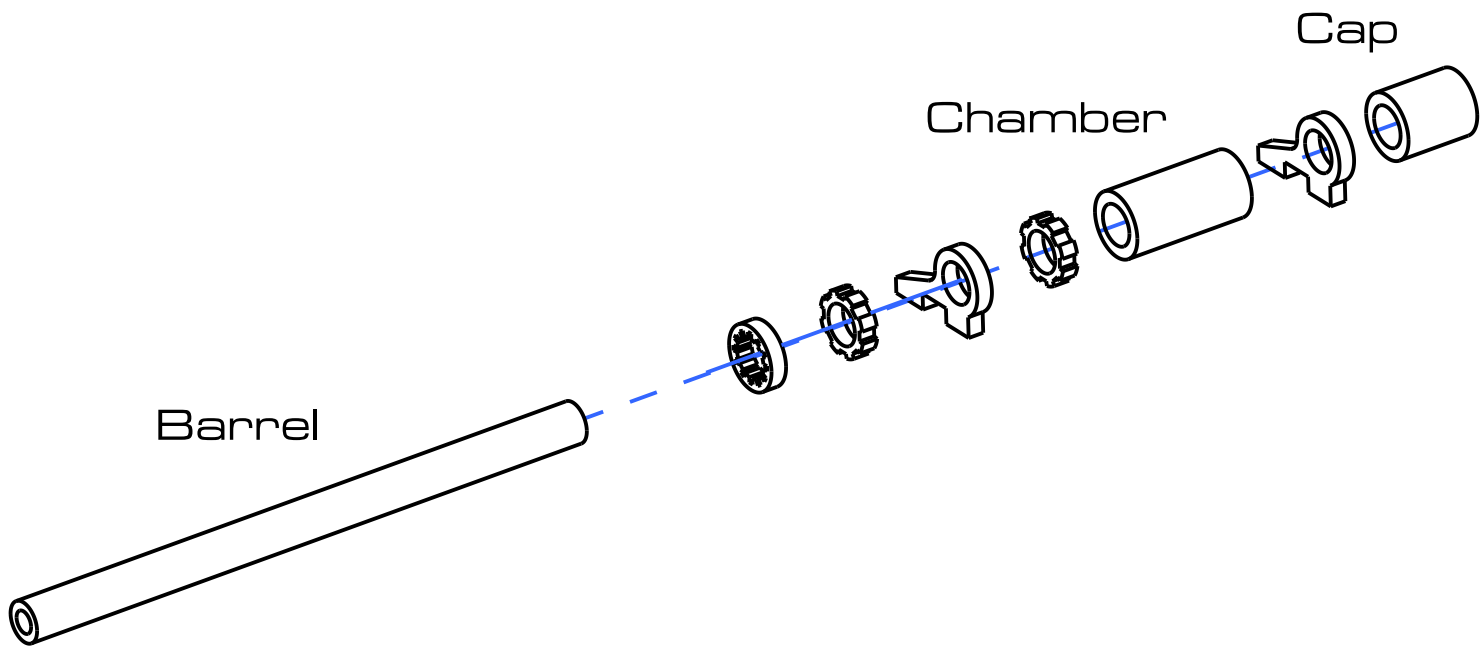
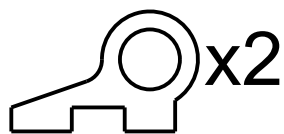
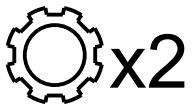


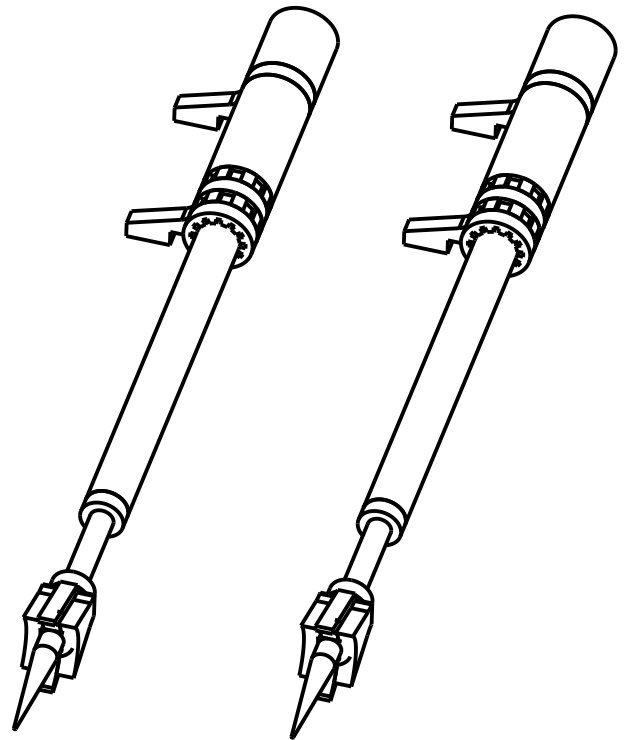
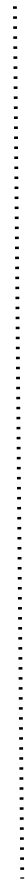
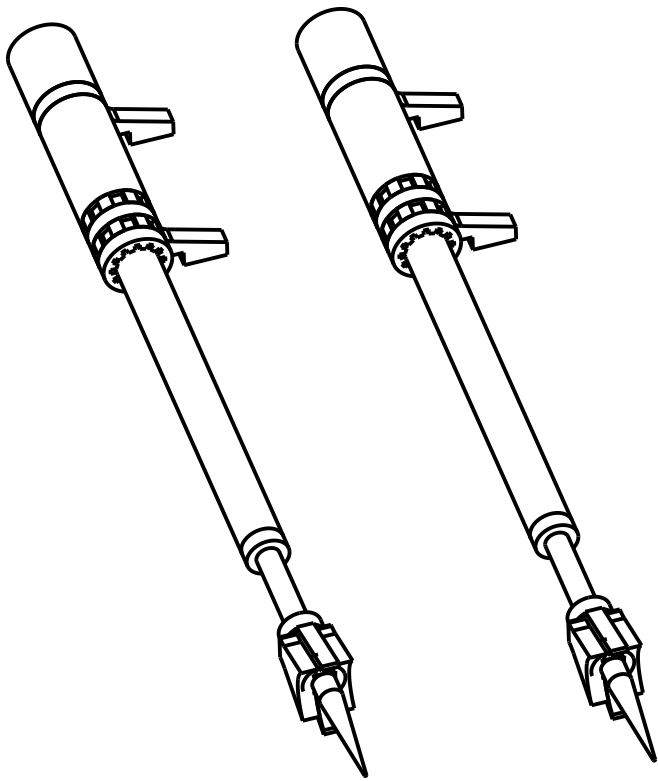
Diameters in inches, all other dimensions in millimeters

Length of Chamber [25mm] and Engine [35mm] should be within 0.5mm

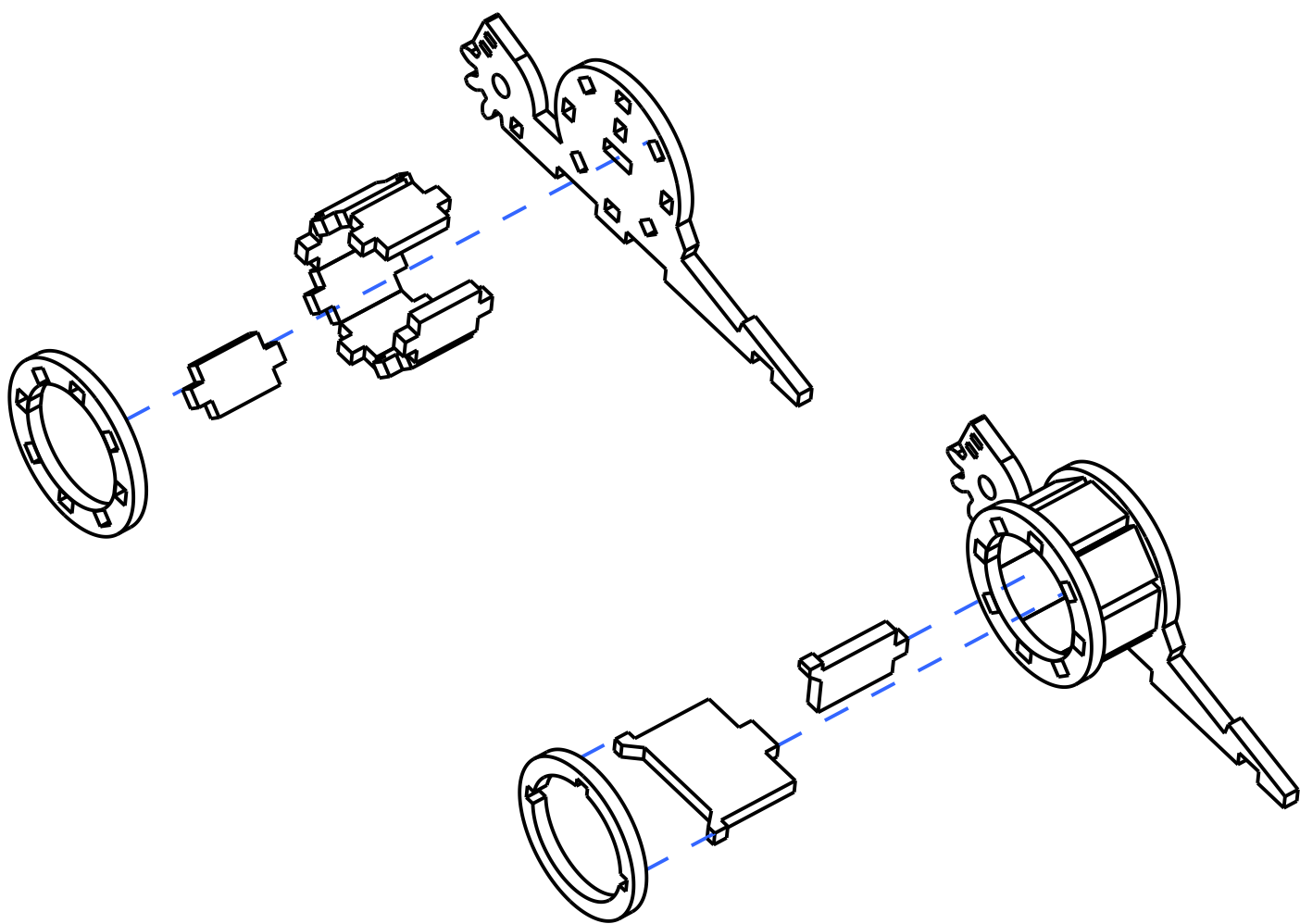
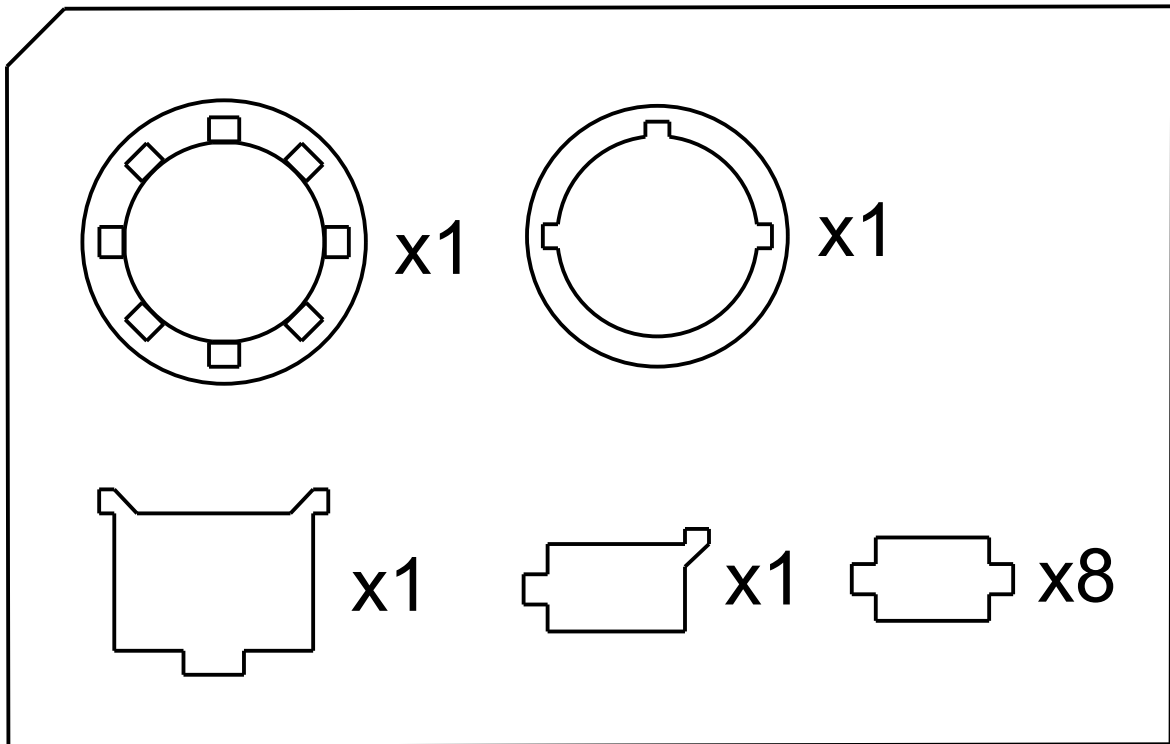
Axles



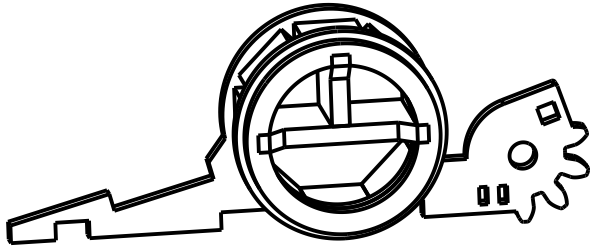




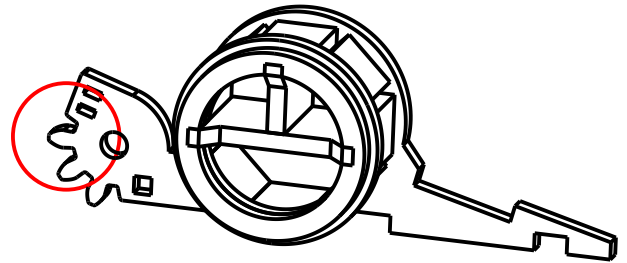
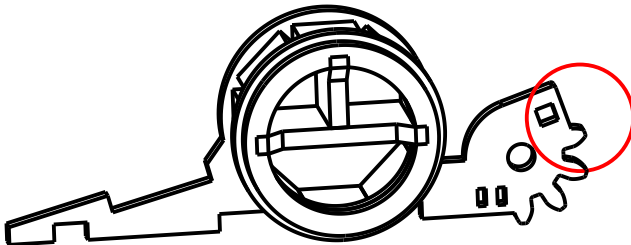
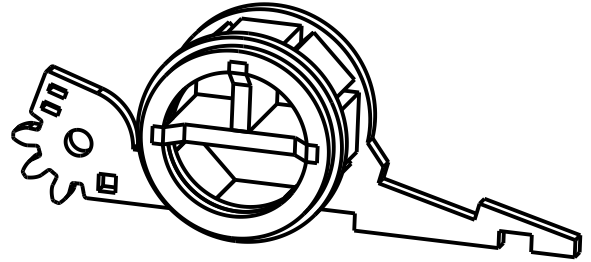
Build 4, 2 mirrored



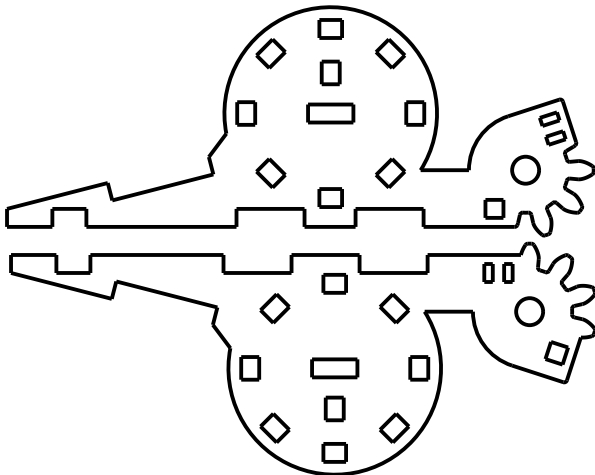
Male



Female

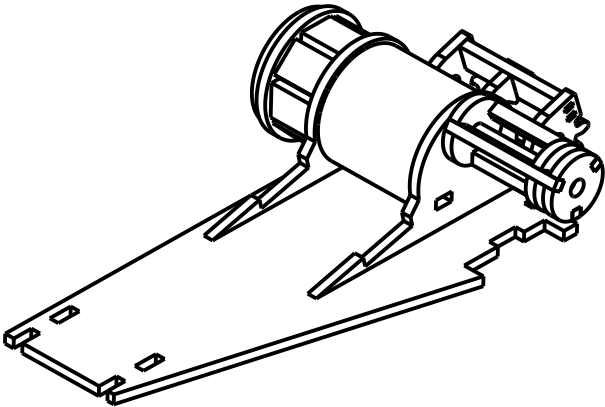
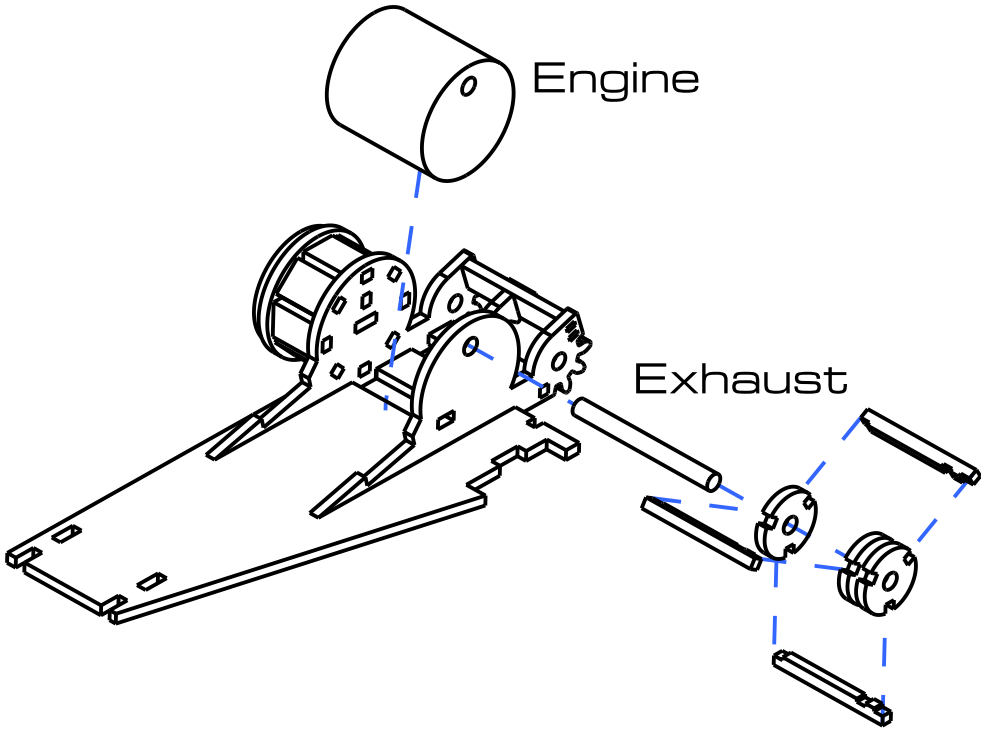
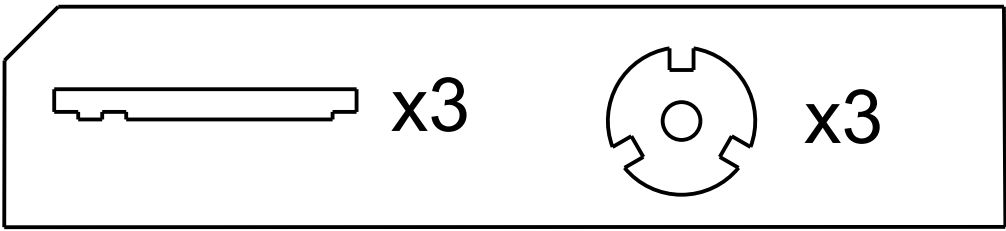


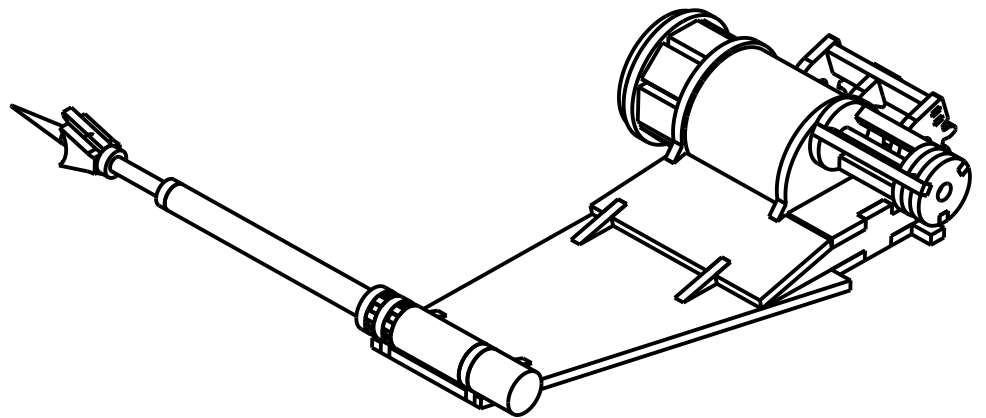
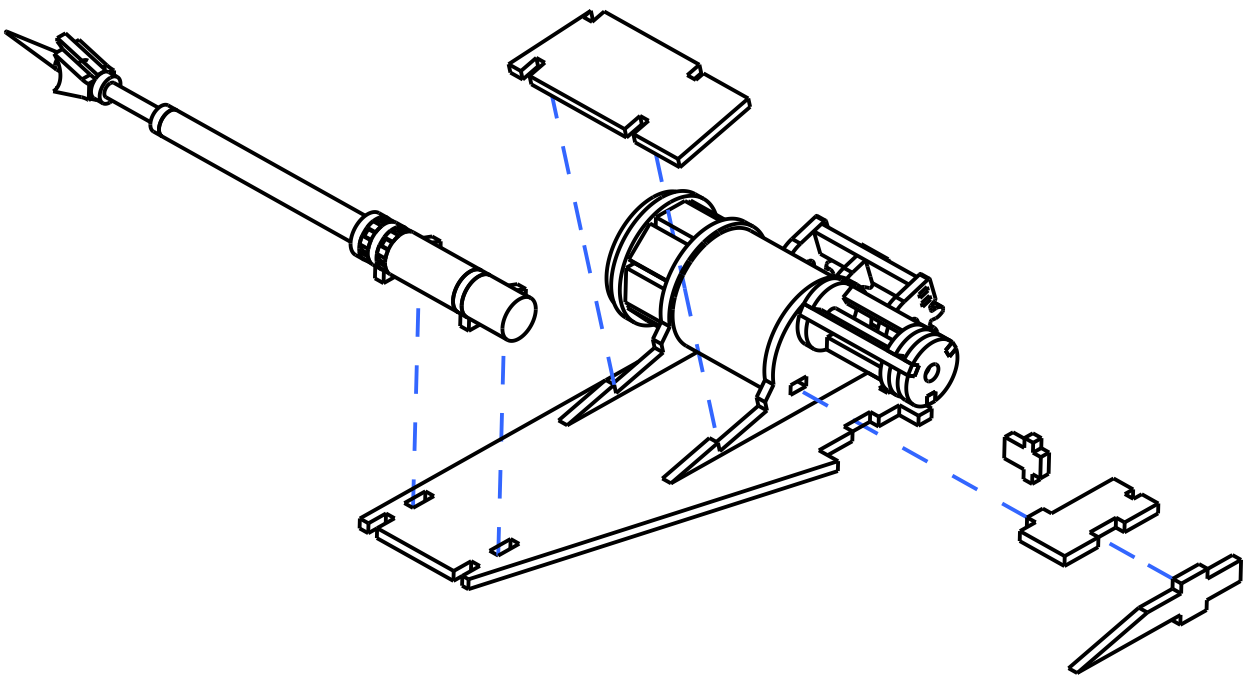
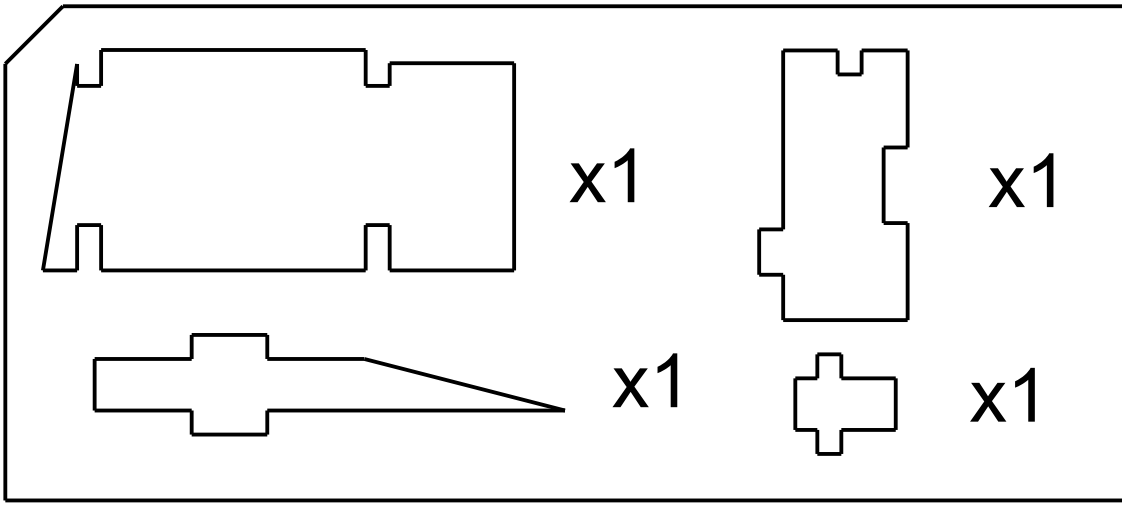
Note the different gear teeth

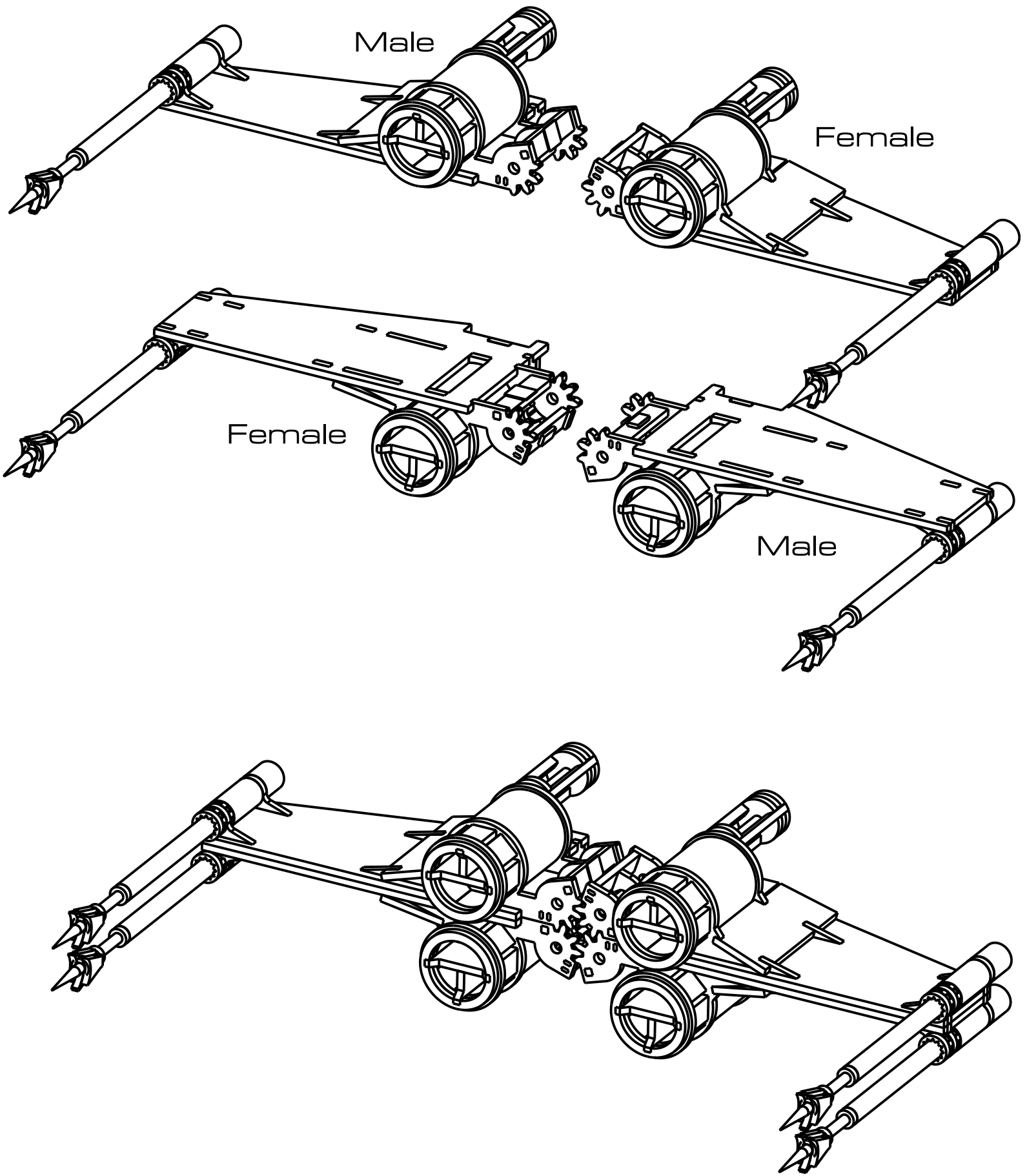


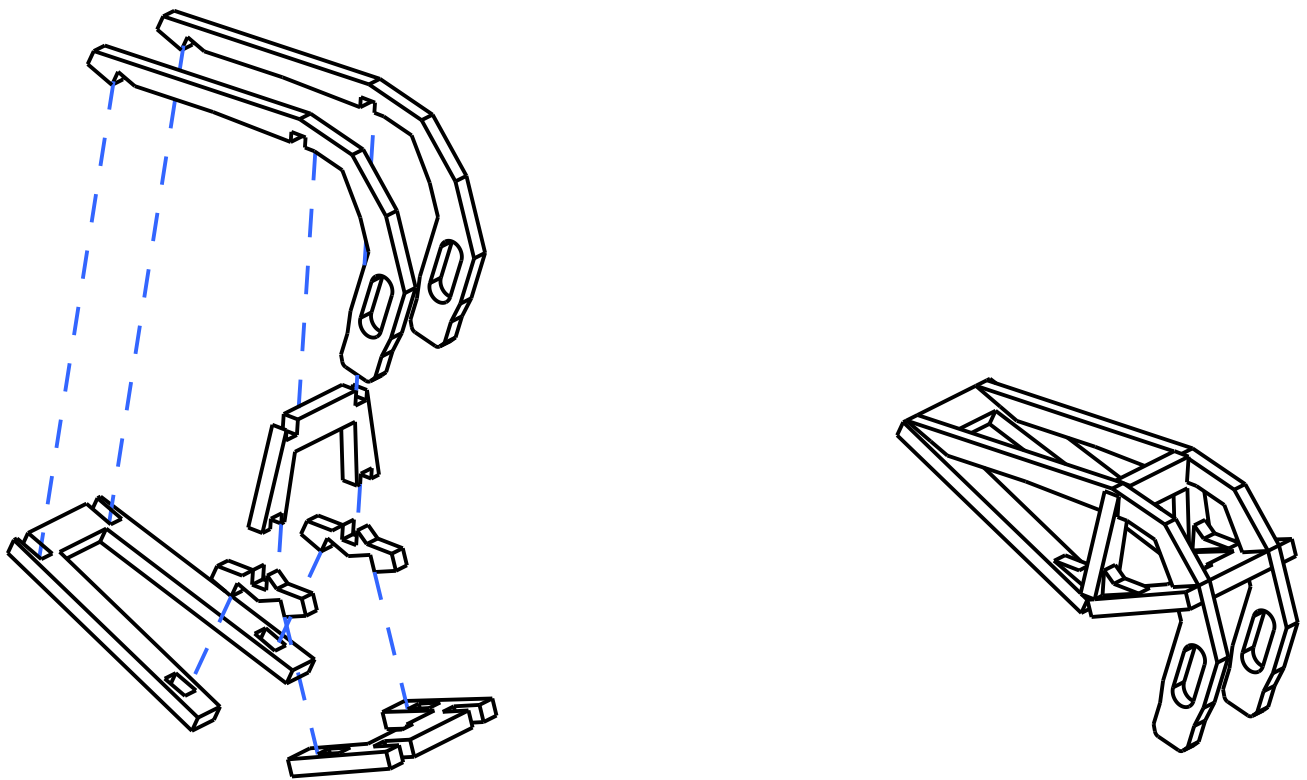
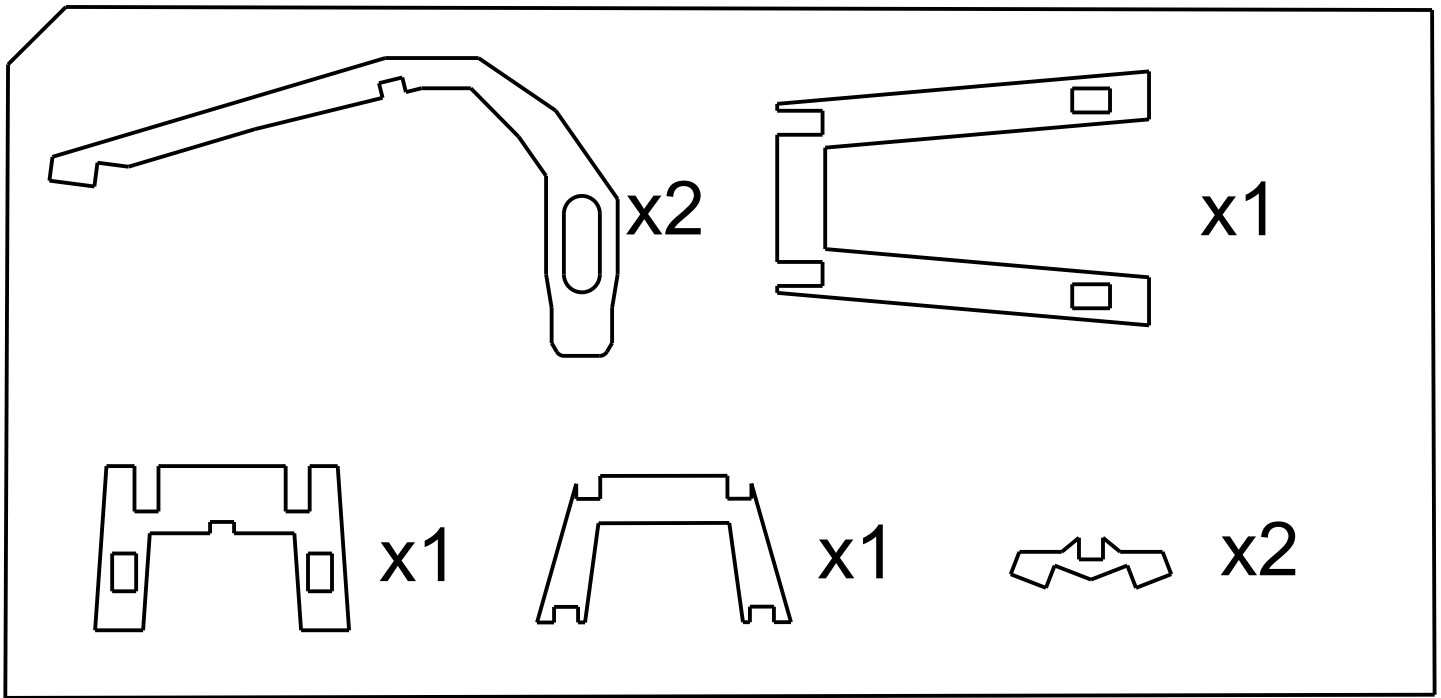
Male and Female gears won't fit into the same wing

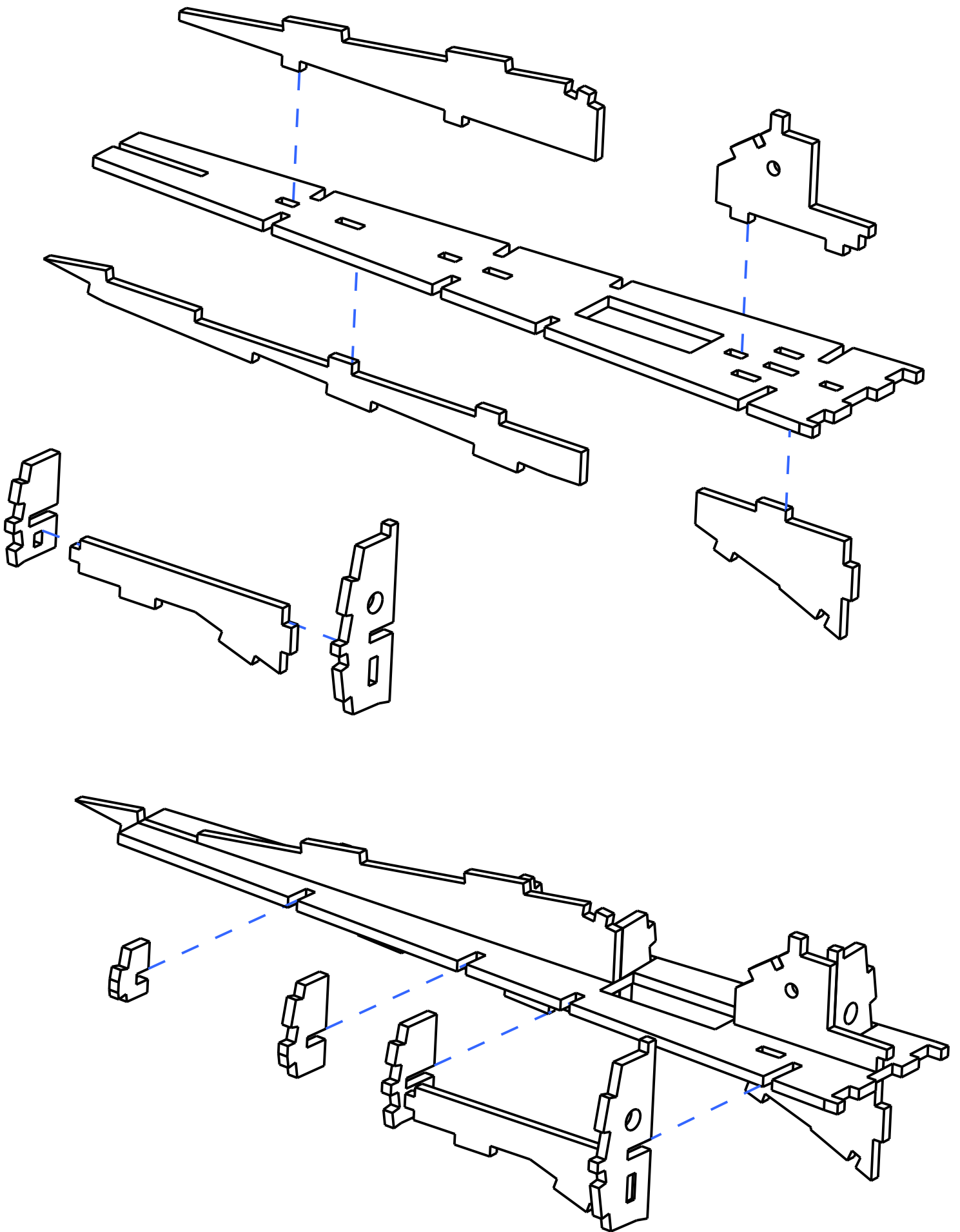
Build 4, 2 mirrored

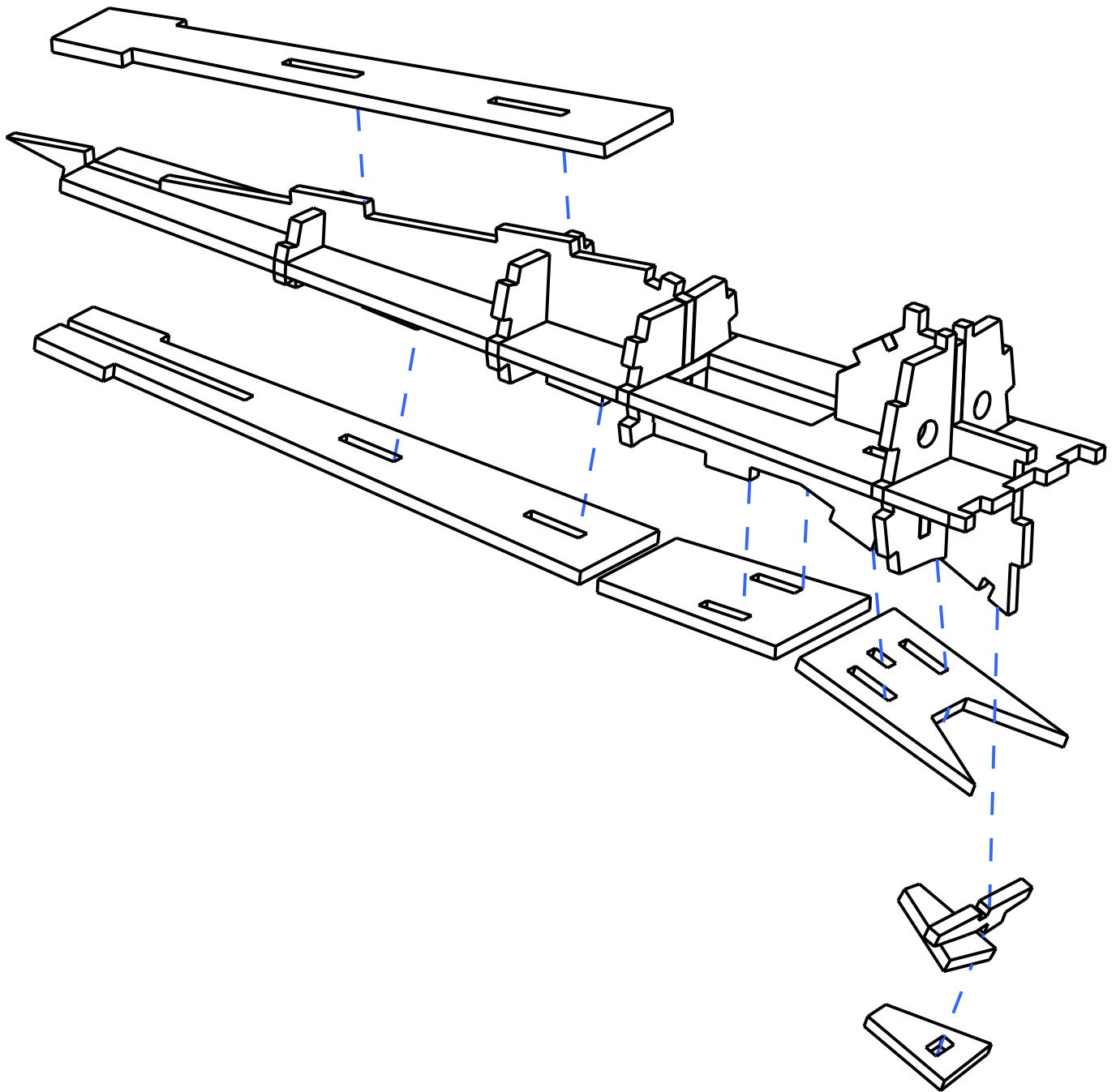
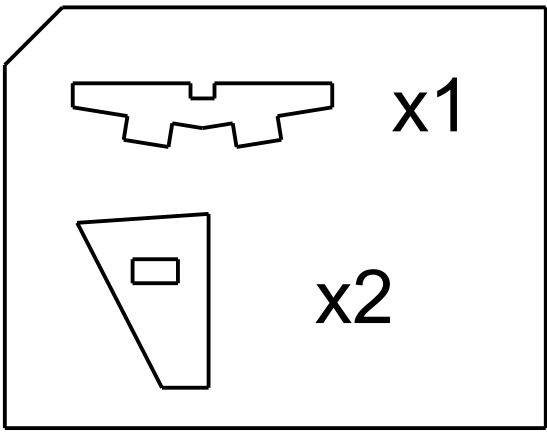


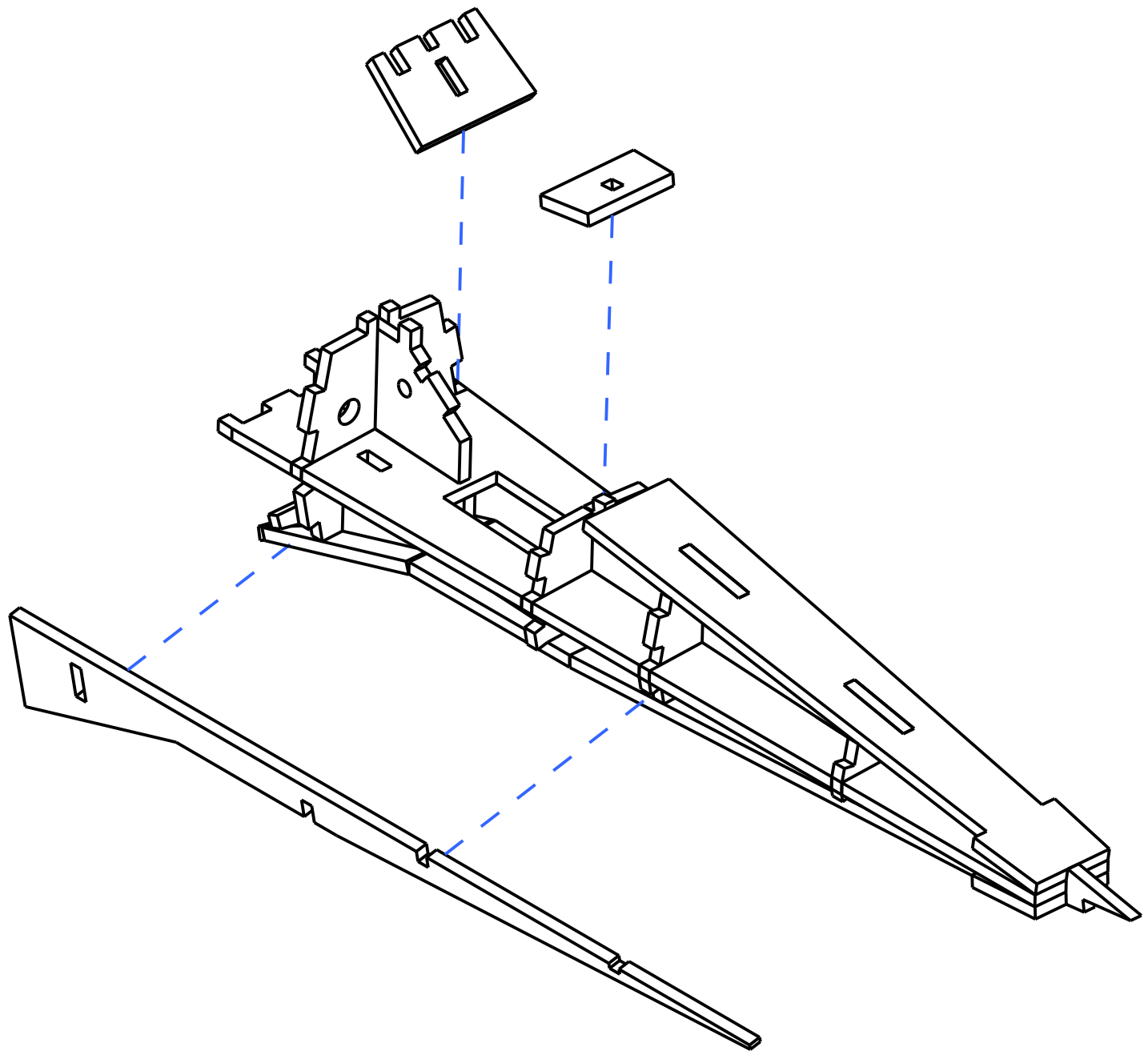
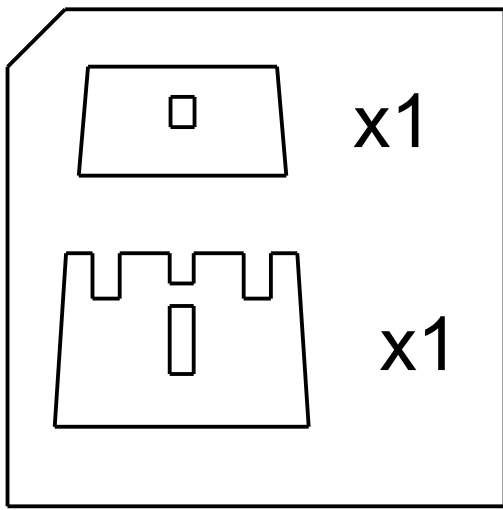


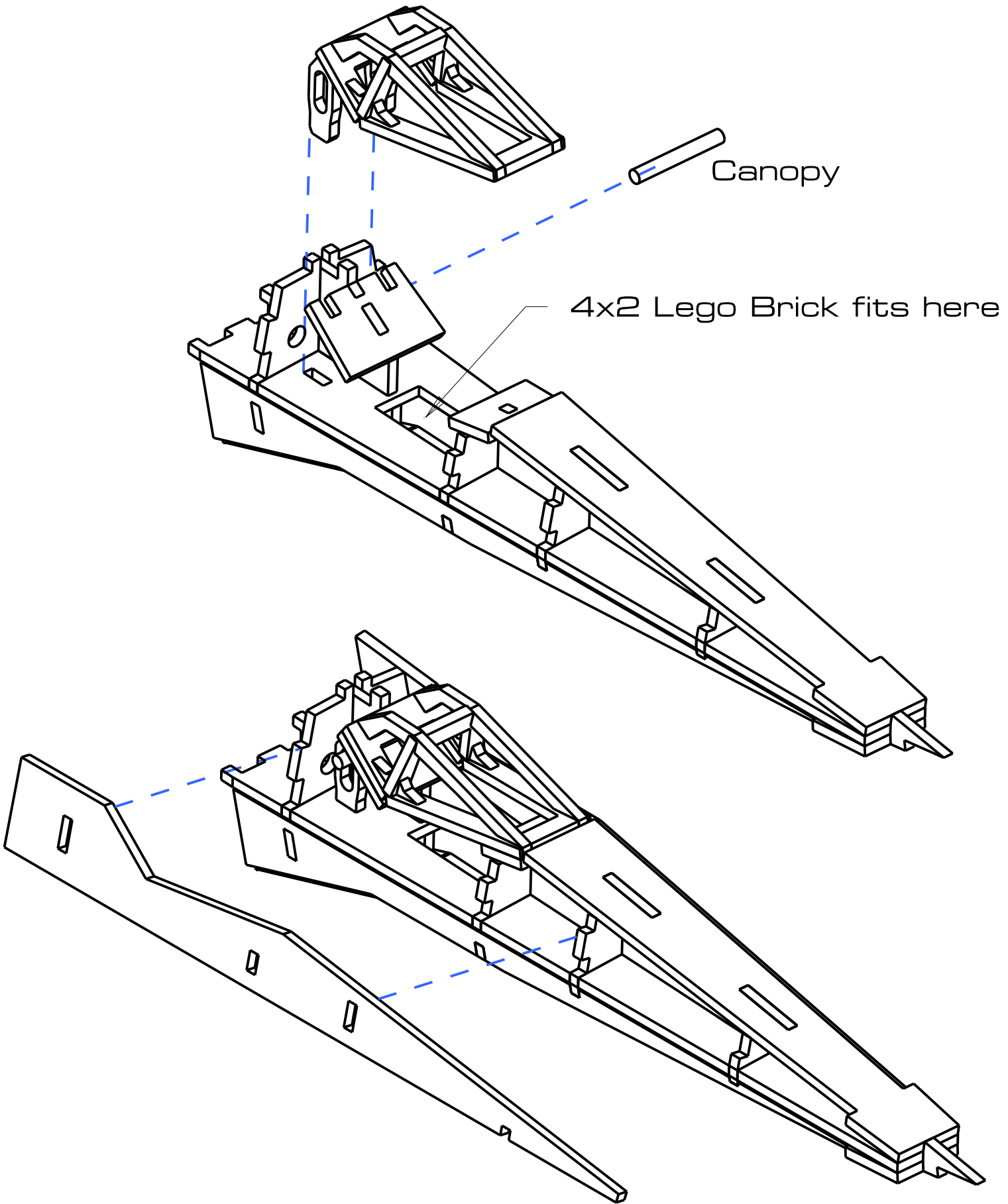


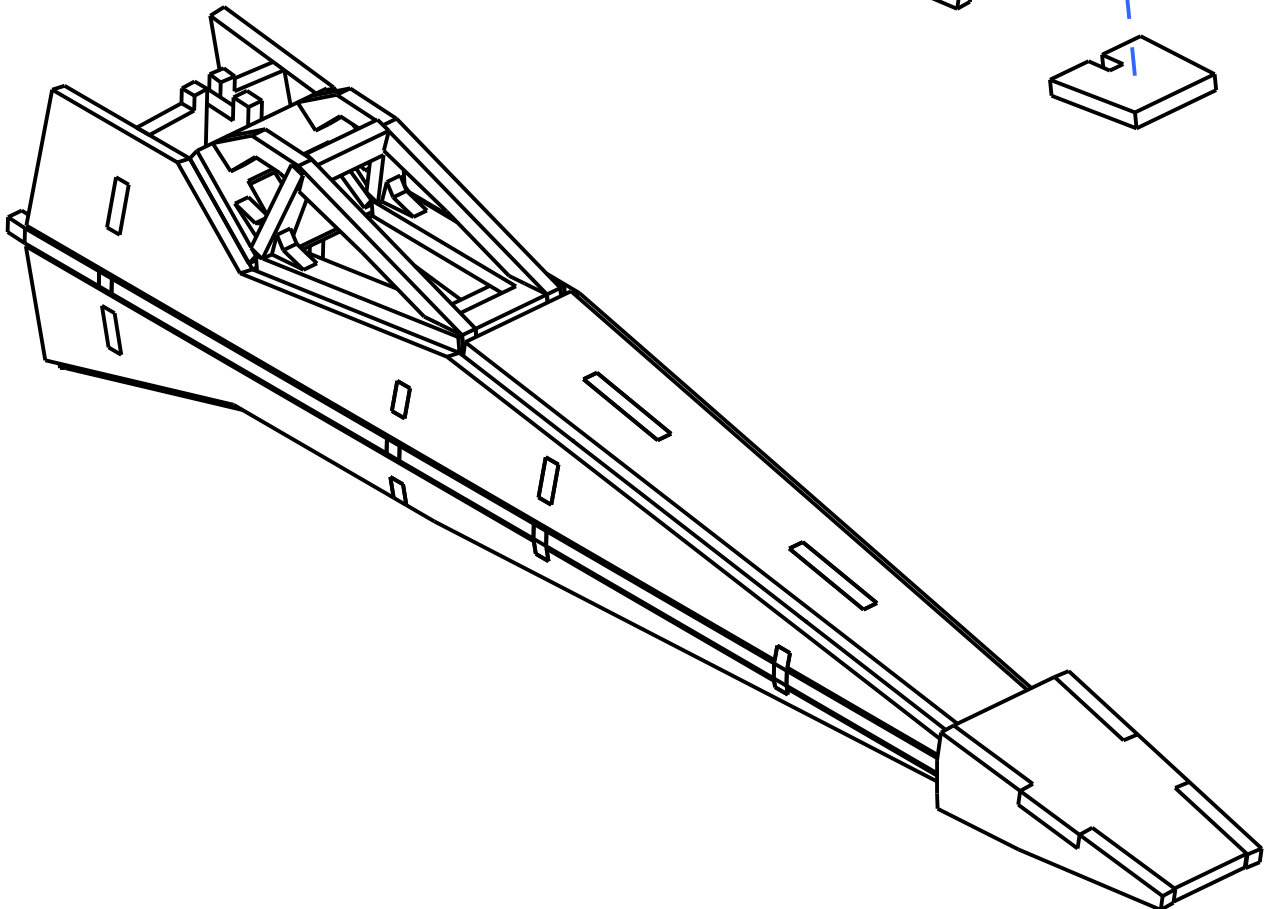
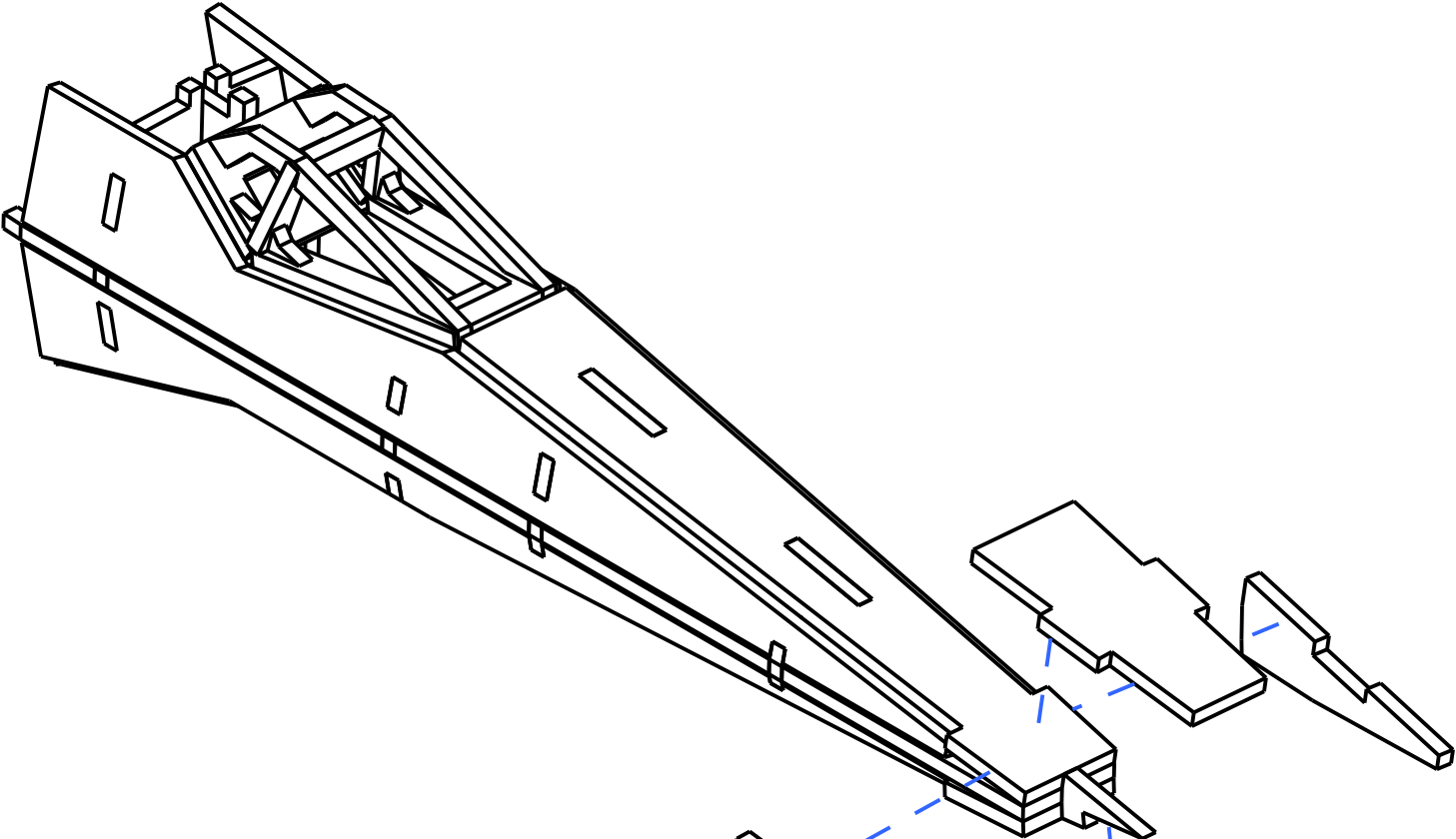


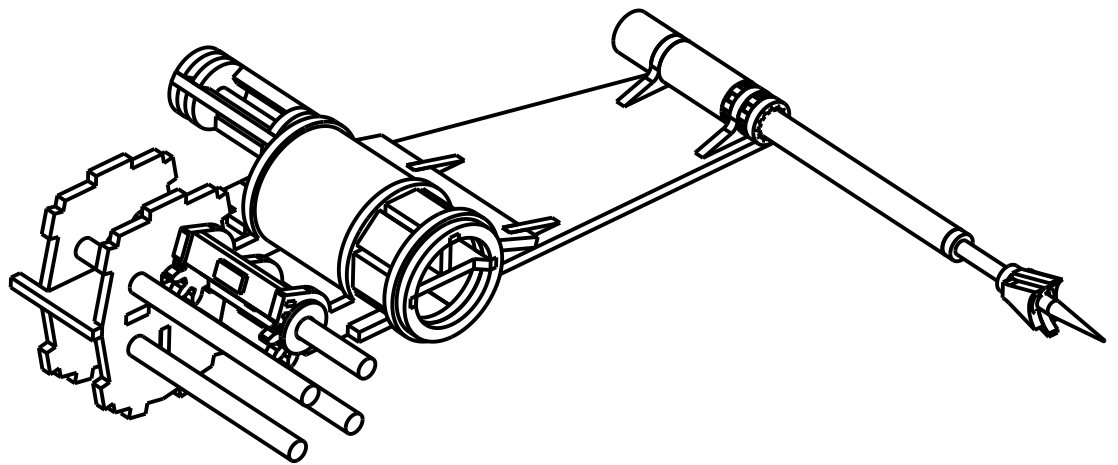
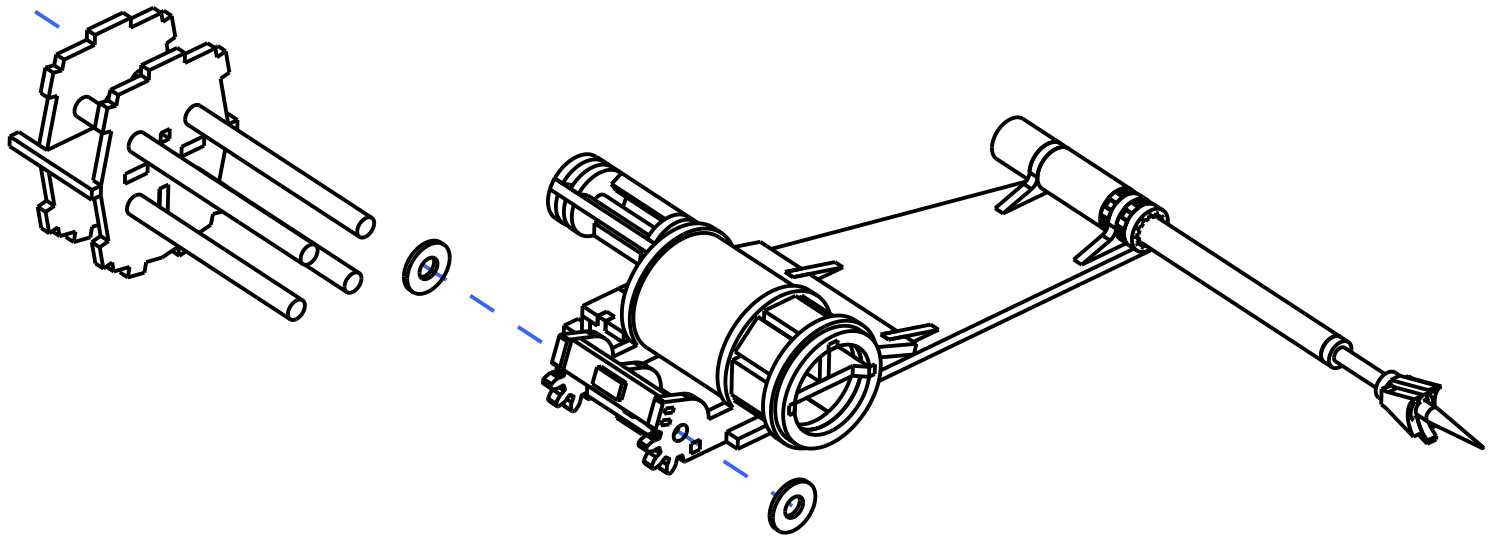
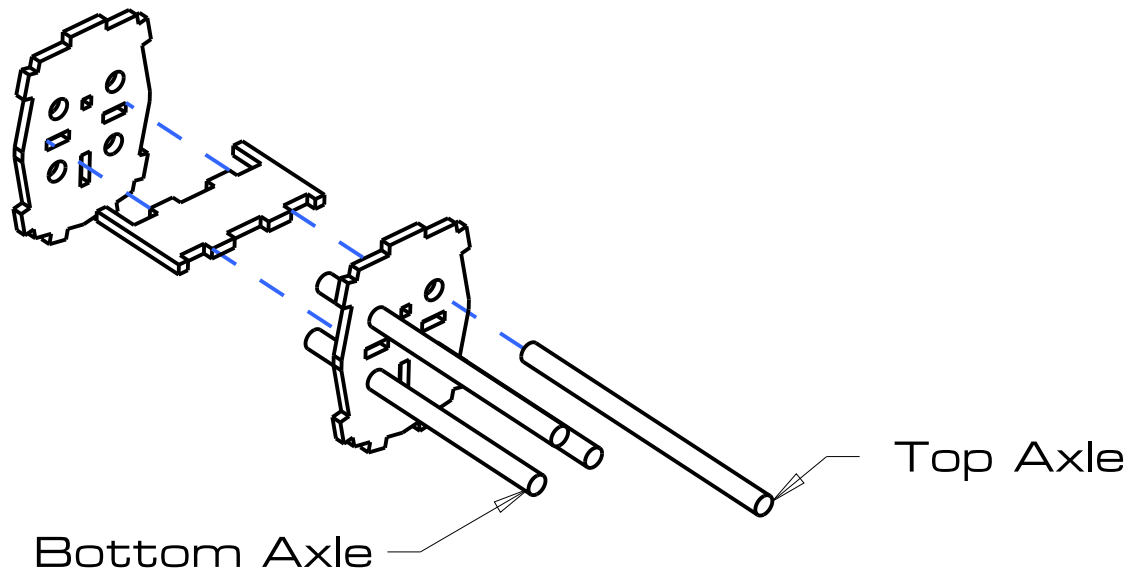


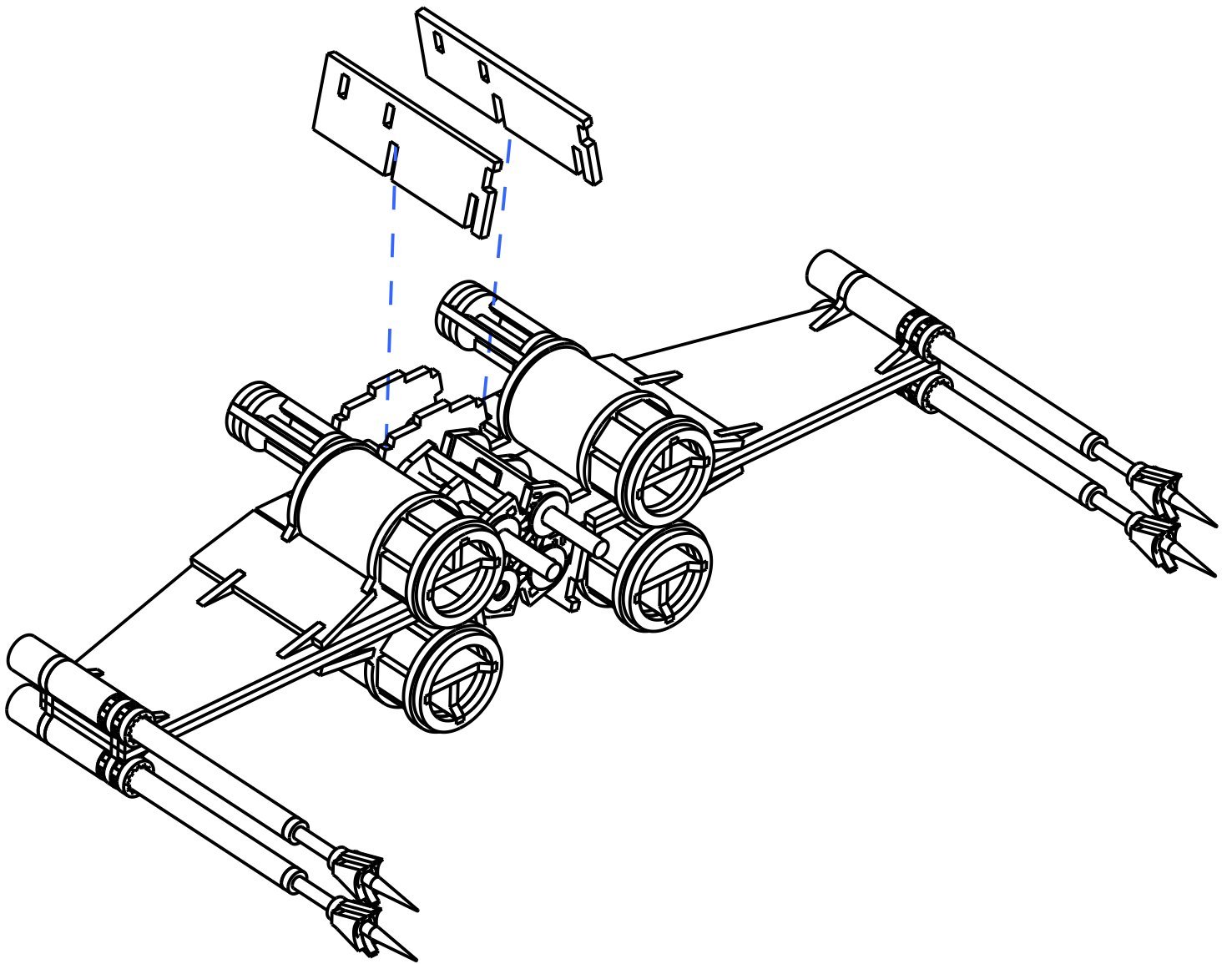
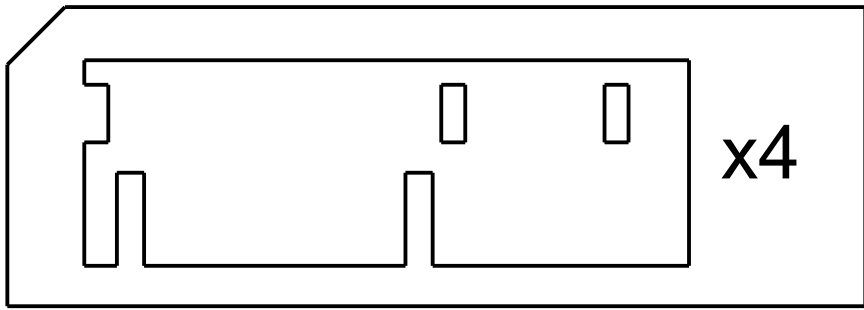


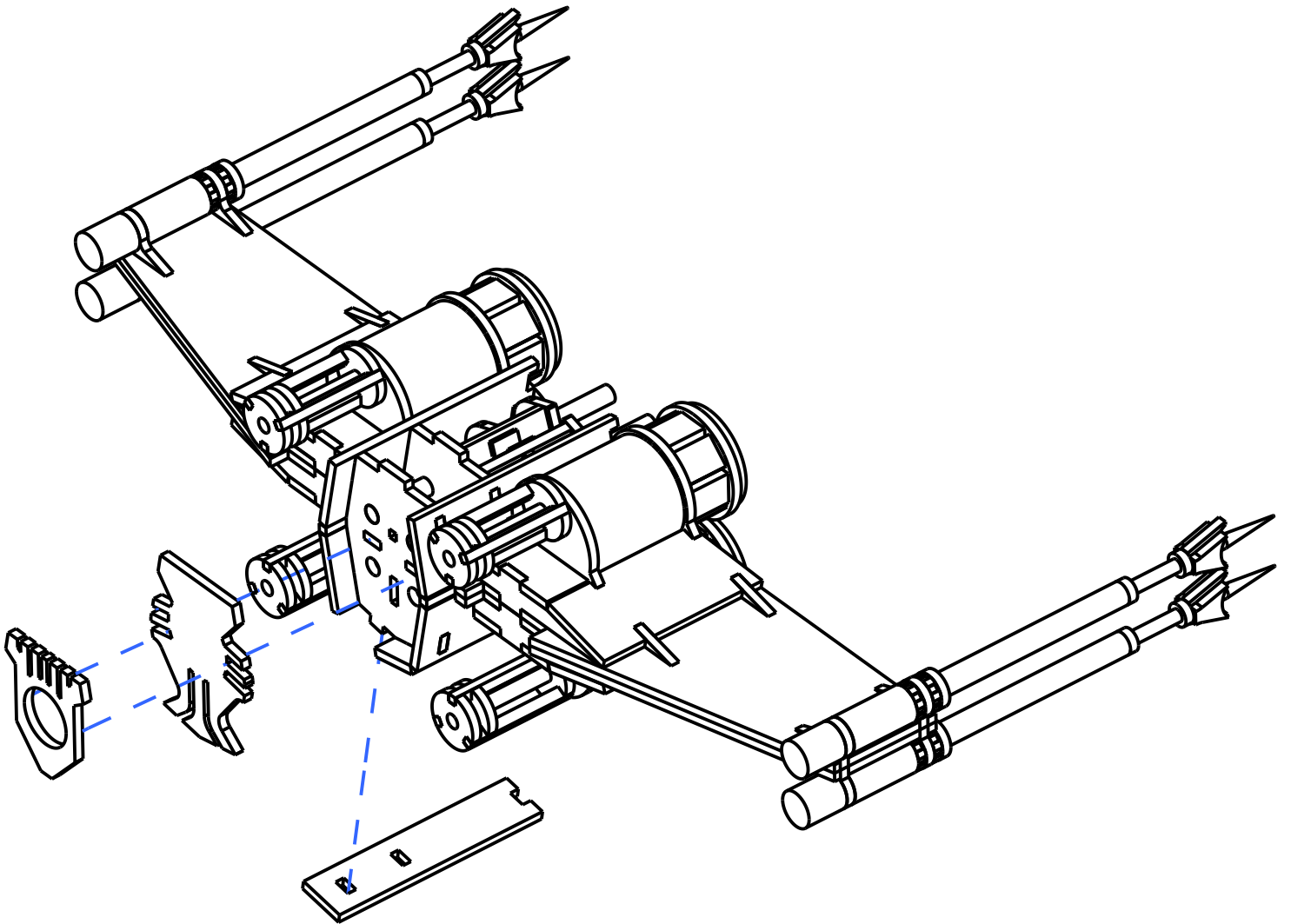
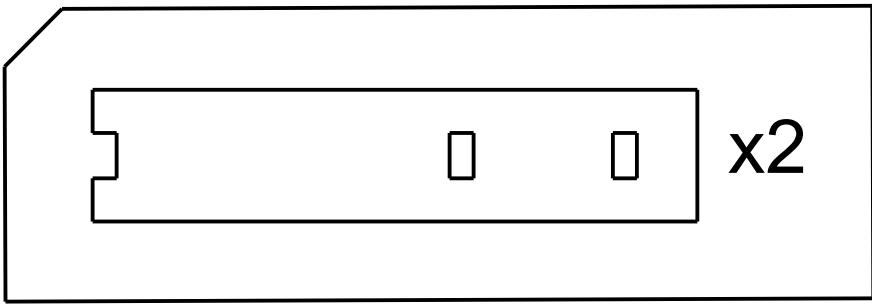


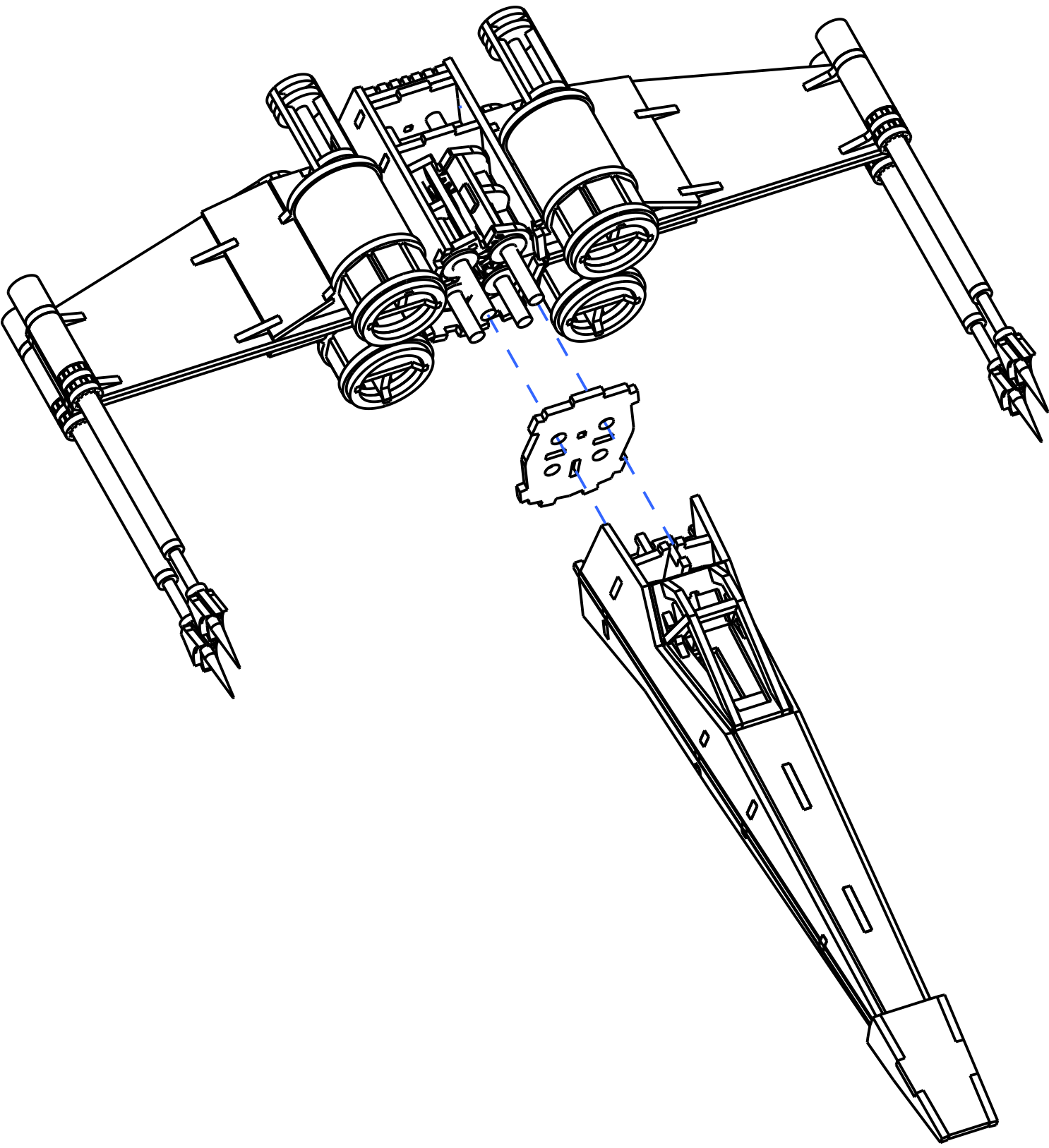


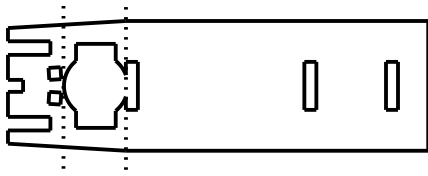












To fit a Lego R2D2,
cut along these lines

